

**Model**

# **SMC/SMC-95**

**Displacement Type / Vertical Magnet Type  
Level Switch**



# SMC-95

## Vertical Magnet Type Level Switch



### Principle

Movement of the permanent magnet connected to the float makes or breaks the switch contacts housed in the case outside the tank, without being affected by the pressure within the tank.

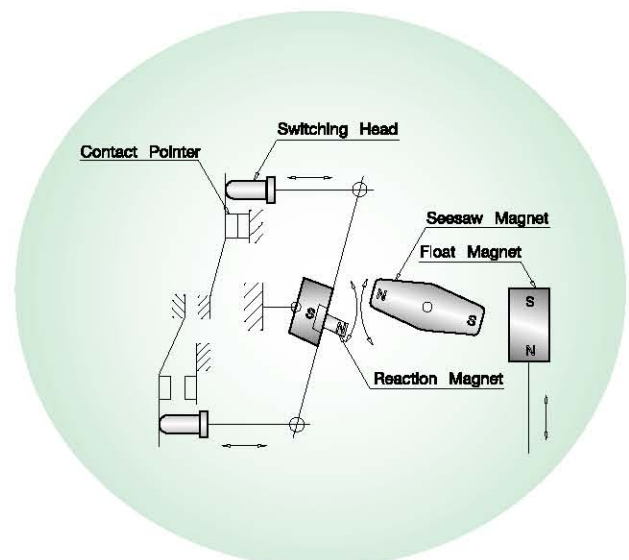
This three-magnet switching system, developed by Sejin Instech, is designed to achieve snap-action switching without mechanical connection.

The float and magnet that move in the vertical direction inside the pressure container cause simultaneous movement of the two other magnets and actuates the switch.

This three-magnet system permits free movement of the float, and the switching can be achieved at different levels by altering the polarity of the float magnet. The switch cannot be reset unless the magnet is returned to its initial position.

### Features

- Can be used for tanks under high pressure or high temperature.
- Designed to meet the requirements of ASME Section IX.
- A wide variety of chambers can be used.
- Multiple switches can be assembled in a unit for economy.
- Increased reliability due to the unique switching mechanism.
- No spring is used in the construction of the switching mechanism (Snap action switch).



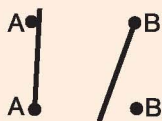
## Specifications

Description		SMC-95 series
Application		Liquid
Specific Gravity		0.85(Min.)
Operating Temperature		+ 400°C(Max.)
Ambient Temperature		-20 ~ +150°C
Pressure		70 kgf/cm <sup>2</sup> (Max.)
Enclosure		Weather Proof Explosion Proof (Ex d IIB T4)
Output		SPDT, DPDT
Switch Type		Snap Action Switch
Contact Life		1,000,000 Times
Contact Rating		10A, 250V AC
Cable Gland		PF 1/2", PF 3/4"
Material	Housing	ADC - 12
	Flange	SUS 304 & SUS 316
	Spacer	SUS 316
	Rod	SUS 316
	Float	SUS 316

## Applications

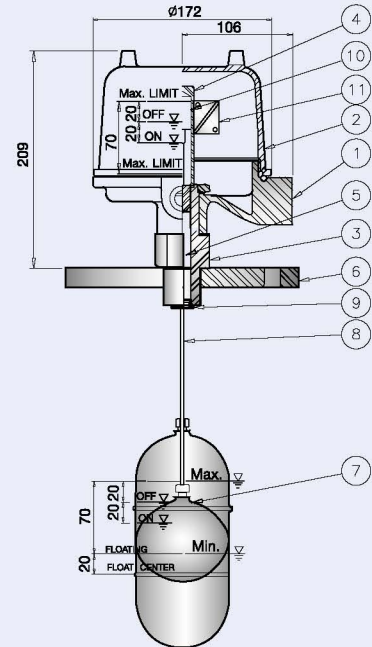
- Sump water control in separators.
- Cleaning system control in compressors.
- On various lines in concentrators.
- For draining system in storage tanks.
- Feedwater control in heat exchanger.
- For controlling the liquid level in main tanks.

## Control

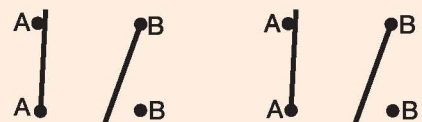


SPDT

## Structure



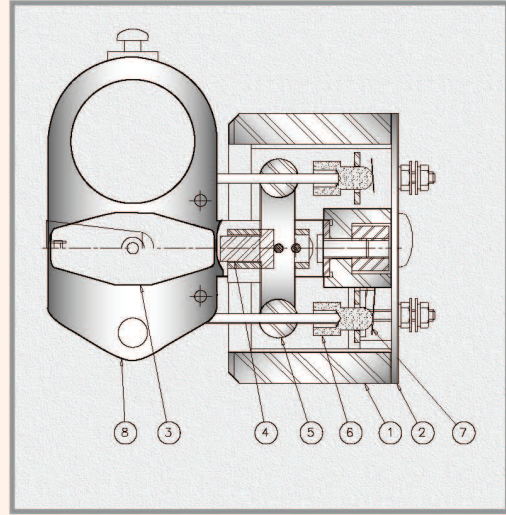
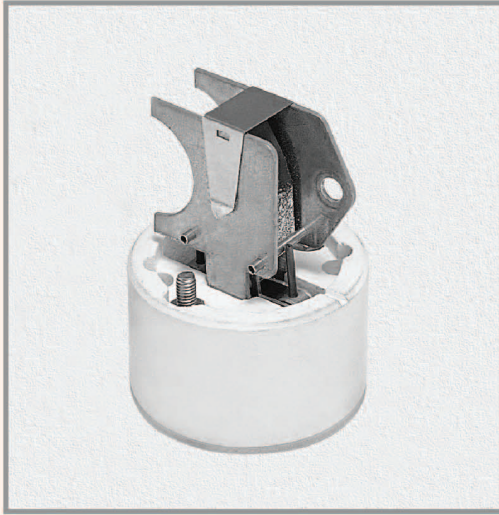
NO	NAME OF PART	MATERIAL
1	HOUSING	ADC -12
2	COVER	ADC-12
3	GUIDE SOCKET	SUS 316
4	GUIDE STEM	SUS 316
5	MAGNET SPACER	SUS 316
6	FLANGE	SUS 304
7	FLOAT ASS*Y	SUS 316
8	ROD	SUS 316
9	STOPPER	SUS 316
10	MAGNET ASS*Y	—
11	SWITCH ASS*Y	—



DPDT



## Snap Switch



N0	NAME OF PART	MATERIAL
1	SWITCH HOUSING	CERAMIC
2	SWITCH COVER	FR-4
3	SEESAW MAGNET	FERRITE
4	REACTION MAGNET	FERRITE
5	ALTERNATING BRACKET	MBsBE2
6	PUSH ROD ASS'Y	—
7	ACTION SWITCH PLATE	SUS 304
8	MAGNET HOLDER	MBsBE2

## Table for Chamber Selection

Type 1	Type 2	Type 3	Type 4	Type 5	Type 6